

Fiber Optic Lighting Products

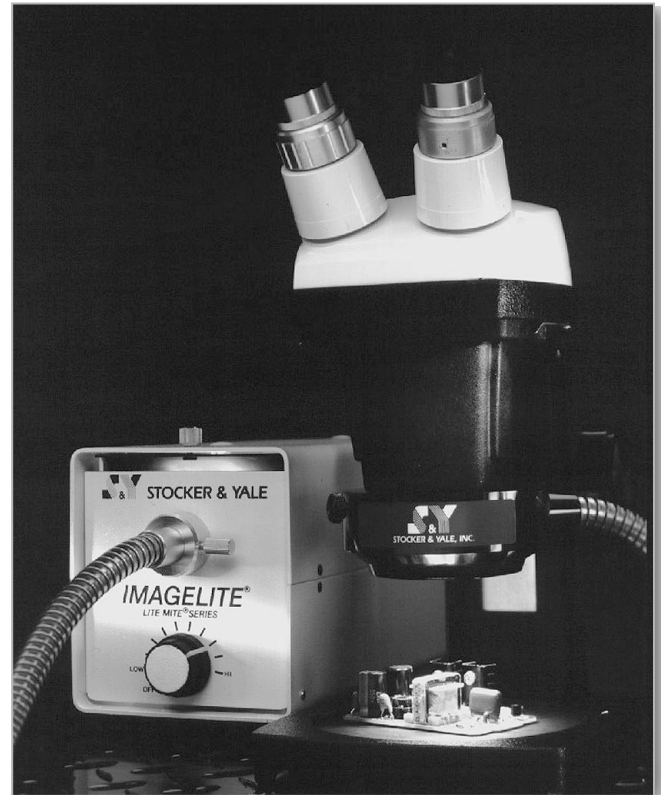
Imagelite®

Model 27

Fiber Optic Illuminator

The Imagelite® is a laboratory grade fiber optic lighting system that provides variable intensity control using a high frequency driver. The unit provides bright white, flicker free illumination. The system is light weight, compact, sturdy and is manufactured to strict quality standards using high-reliability components.

The Imagelite® is a laboratory grade fiber optic lighting system that provides variable intensity control using a high frequency driver. The unit provides bright white, flicker free illumination. The system is light weight, compact, sturdy and is manufactured to strict quality standards using high-reliability components.



FEATURES

- High Light Output
- Wide dimming range allows precise light adjustment
- Uniform bright-white light over the work area provides enhanced illumination for machine vision and microscopy applications
- Housing provides for universal mounting
- Quick disconnect on lamp assembly allows easy custom installation

Optical Specifications

Spectral Response: 400nm to 2000nm
Fiber Type: 0.66 NA (82° acceptance core)
Fiber Size: 0.002" diameter
Min. Bend Radius: 2.00"
Bundle Diameter 0.372"
Working Distance: 2.0" to 9.00"

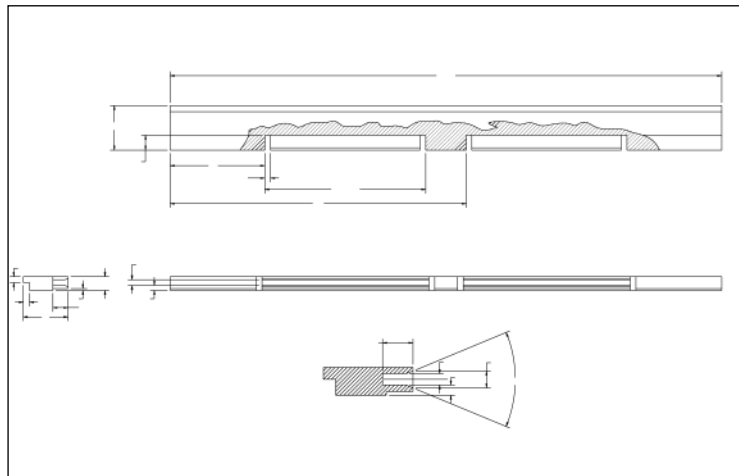
Electrical Specifications

Light Output: Greater than 1400 foot-candles (15,000 LUX) at 3"
Color Temperature: 6000K
Lamp Life: Greater than 4000 hours
Lamp Adjustment Range: 10 to 100%
Converter Frequency: 90 kHz
Input Power: 20 Watts at full output
Input Voltage (DC): 12 to 15 VDC @ 1.4A, max
Input Voltage (AC): 12 VAC, RMS nominal, at 2.5 A RMS

Environmental Specifications

Temperature Rating: -40° to 225°F

Mechanical Specifications



Stocker & Yale, Inc. 

32 Hampshire Road, Salem, NH 03079 Tel (800) 843-8011

www.stkr.com